

Refer to:

'Installation Instructions for SMD, SMDR and SSSMD Series Leakage Rated Smoke Dampers' (Part #461338)

or

'Installation Instructions for CFSD Series Corridor Ceiling Dampers' (Part #461335)

or

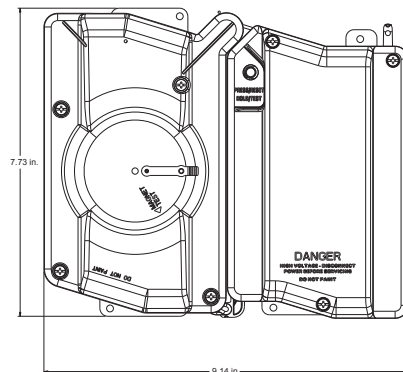
'Installation Instructions for FSD, DFD, and SSFSD Series Combination Fire Smoke Dampers' (Part #481318) and FSD-3XXV series (Part # 461666) for additional details.

"UL CLASSIFIED (see complete marking on product)"

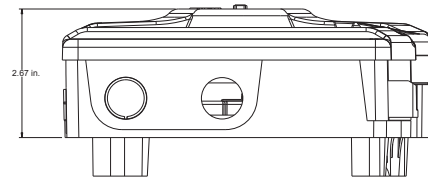
"UL CLASSIFIED to Canadian safety standards (see complete marking on product)"

Standard 555 (Listing #R13317)

Standard 555S (Listing #R13447)



Square



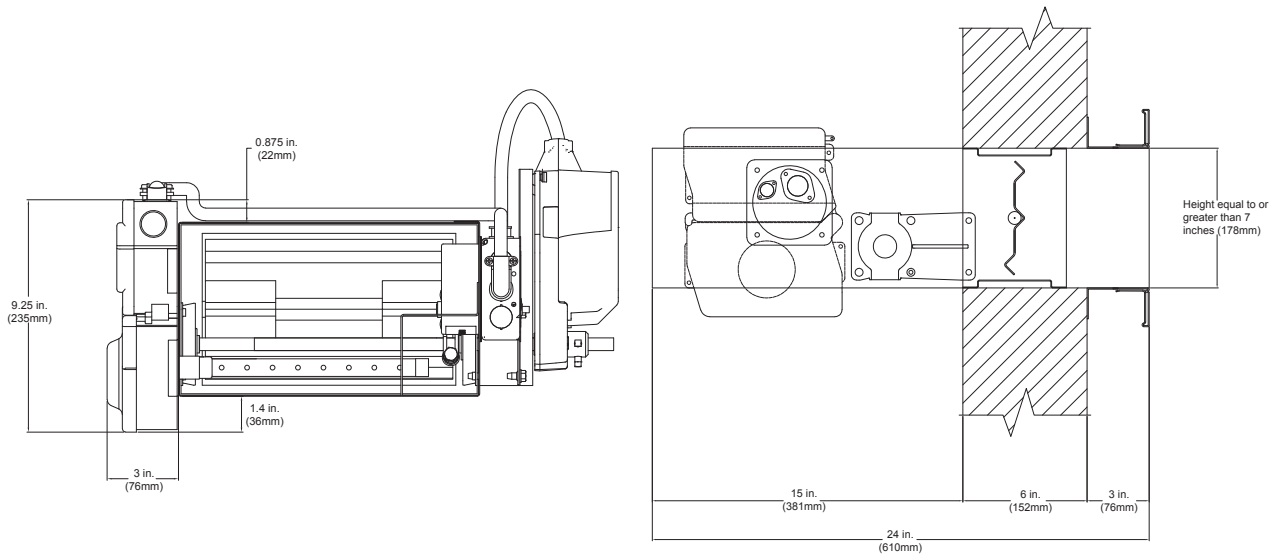
Notes

1. Minimum air velocity for smoke detector operation is 100 fpm (2.5 m/s). Maximum is 4000 fpm (20.3 m/s).
2. Since the smoke detector is not rated for use at velocities below 100 fpm (2.5 m/s), local code may require an alternate means of damper closure such as zone detection or automated damper closure when the system fan is shut down. The local authority having jurisdiction should be consulted prior to the installation of the damper and smoke detector.
3. Holes on sampling tube must face into airstream.
4. Smoke detector specifications are:
 Operating temperature range: -4°F to 158°F
 (-20°C to 70°C)
 Operating humidity range: 10% to 95% R.H.
 Operation voltage: 24 VAC/DC or 120 VAC (50/60 Hz)
5. Refer to System Sensor, DUCTSD Installation and Maintenance Instructions for further installation details.
6. Refer to System Sensor, DUCTSD, Installation and Maintenance Instructions for maintenance and field tests.
7. System Sensor
 3825 Ohio Avenue
 St. Charles, Illinois 60174
 Phone: 1-800-SENSOR2
 Fax: 1-630-377-6495

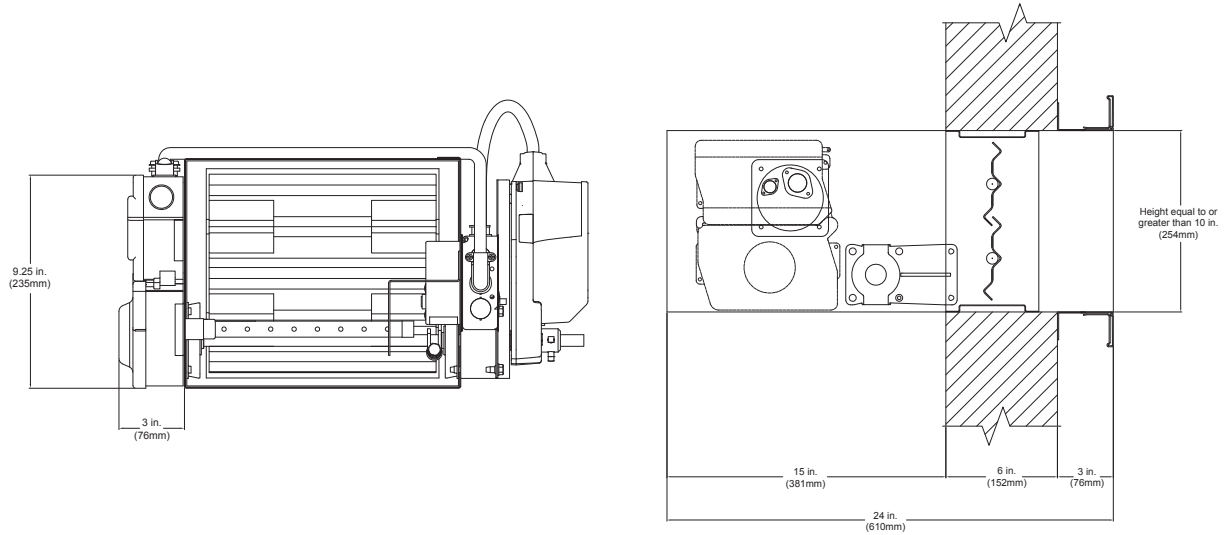
Website: <http://www.systemsensor.com>

Mounting Orientation and Space Envelopes

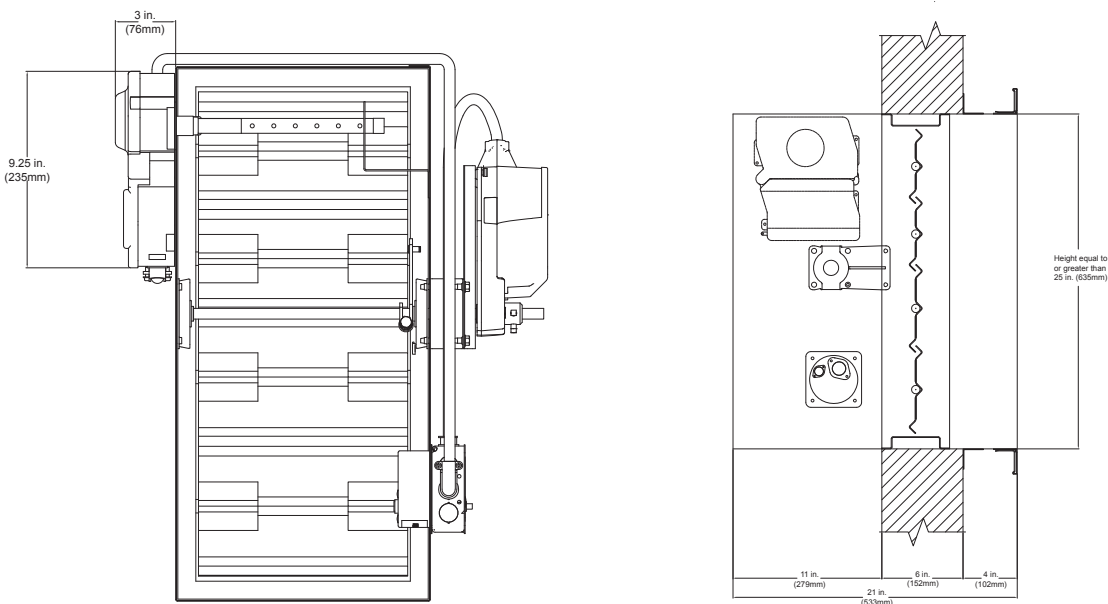
Dampers Equal to or Greater Than 7 inches (178 mm) But Less Than 10 Inches (254 mm) in Height



Dampers Equal to or Greater Than 10 inches (254 mm) But Less Than 25 Inches (635 mm) in Height

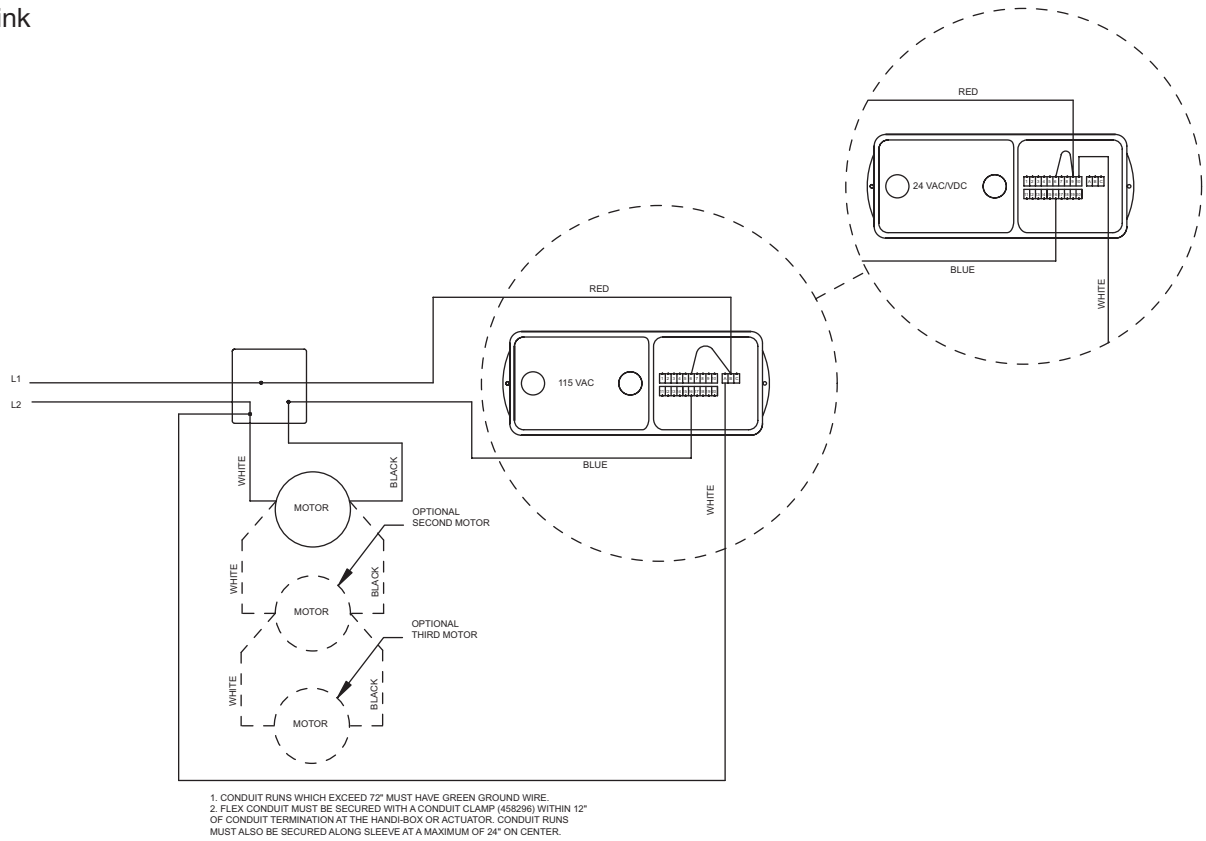


Dampers Equal to or Greater Than 25 inches (635 mm) in Height

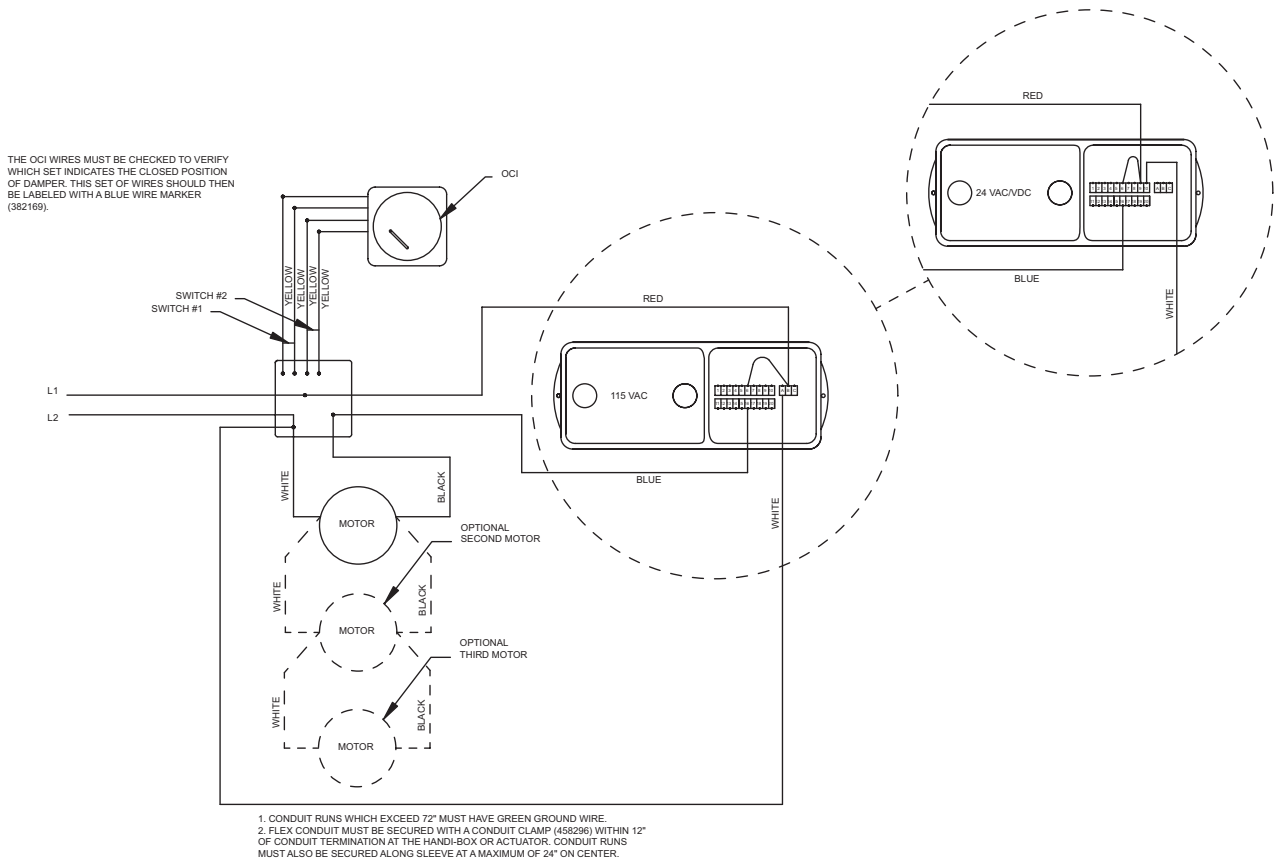


Wiring Diagrams

Fusible Link

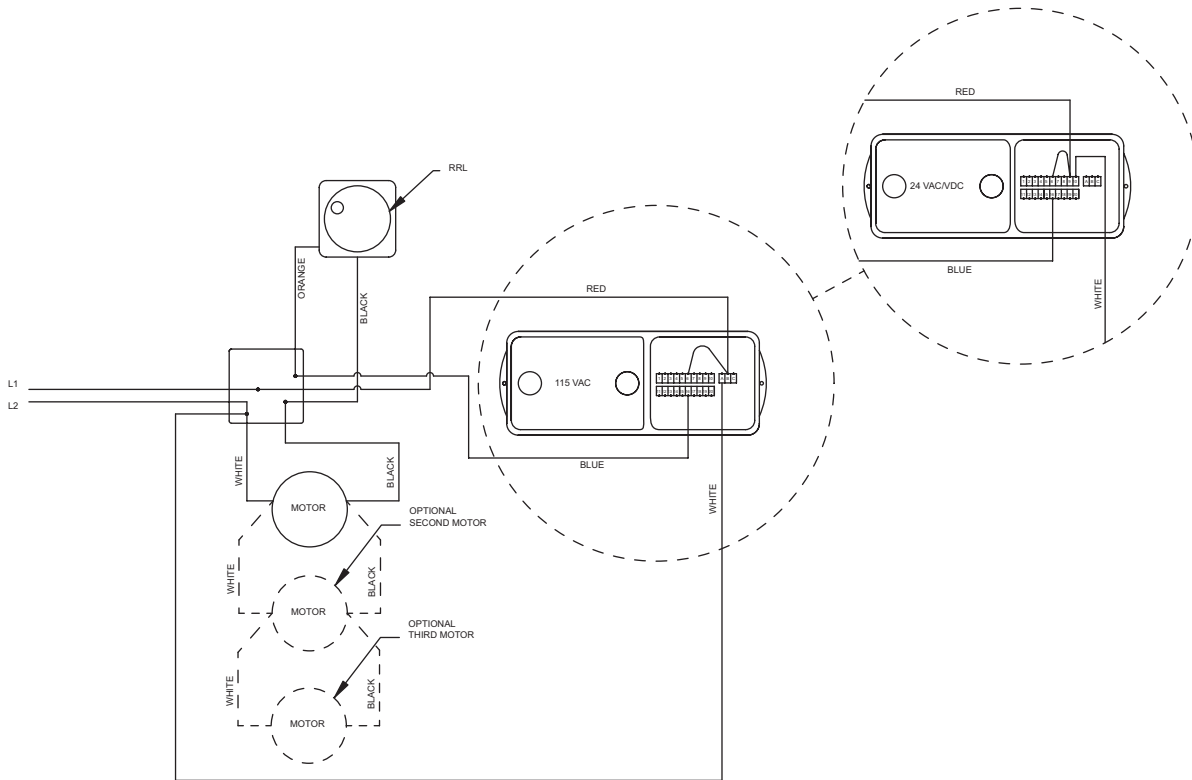


OCI



Wiring Diagrams

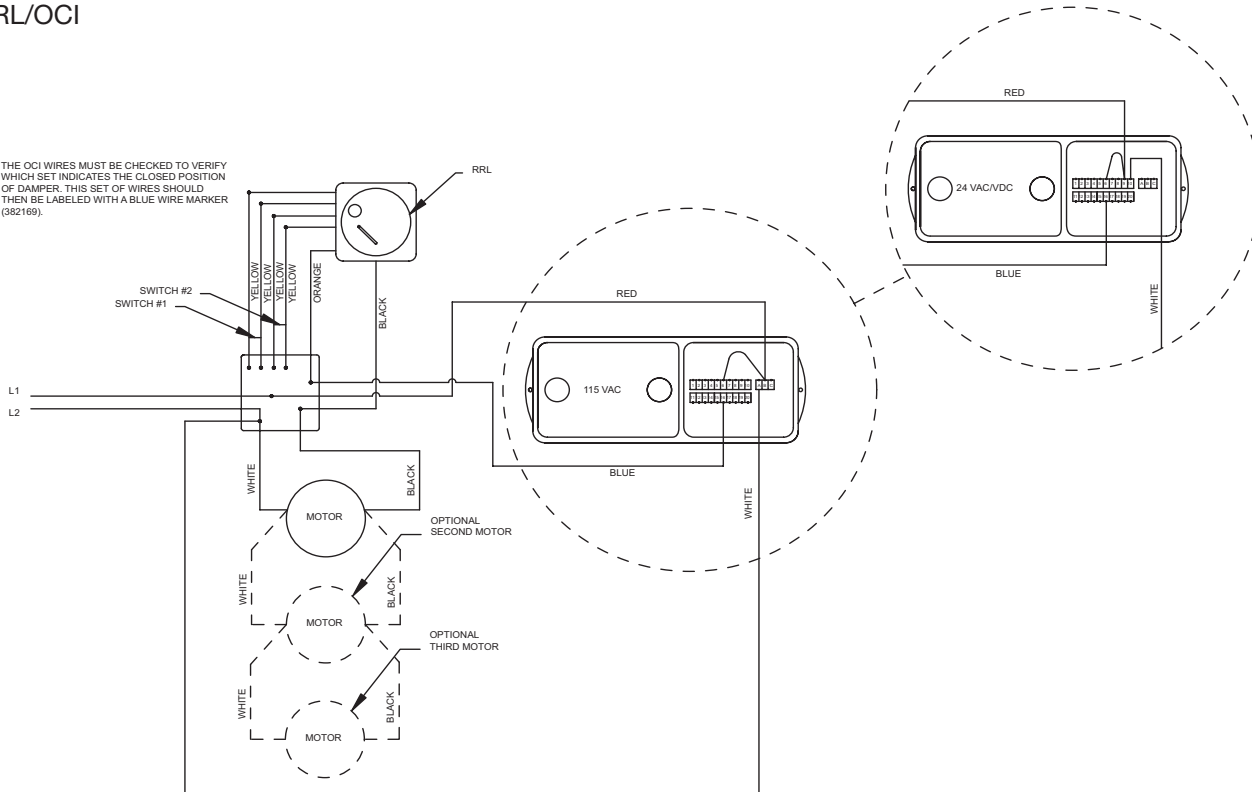
RRL



1. CONDUIT RUNS WHICH EXCEED 72" MUST HAVE GREEN GROUND WIRE.
2. FLEX CONDUIT MUST BE SECURED WITH A CONDUIT CLAMP (458296) WITHIN 12" OF CONDUIT TERMINATION AT THE HAND-BOX OR ACTUATOR. CONDUIT RUNS MUST ALSO BE SECURED ALONG SLEEVE AT A MAXIMUM OF 24" ON CENTER.

RRL/OCI

THE OCI WIRES MUST BE CHECKED TO VERIFY WHICH SET INDICATES THE CLOSED POSITION OF DAMPER. THIS SET OF WIRES SHOULD THEN BE LABELED WITH A BLUE WIRE MARKER (382169).



1. CONDUIT RUNS WHICH EXCEED 72" MUST HAVE GREEN GROUND WIRE.
2. FLEX CONDUIT MUST BE SECURED WITH A CONDUIT CLAMP (458296) WITHIN 12" OF CONDUIT TERMINATION AT THE HAND-BOX OR ACTUATOR. CONDUIT RUNS MUST ALSO BE SECURED ALONG SLEEVE AT A MAXIMUM OF 24" ON CENTER.



Wiring Diagrams

TOR

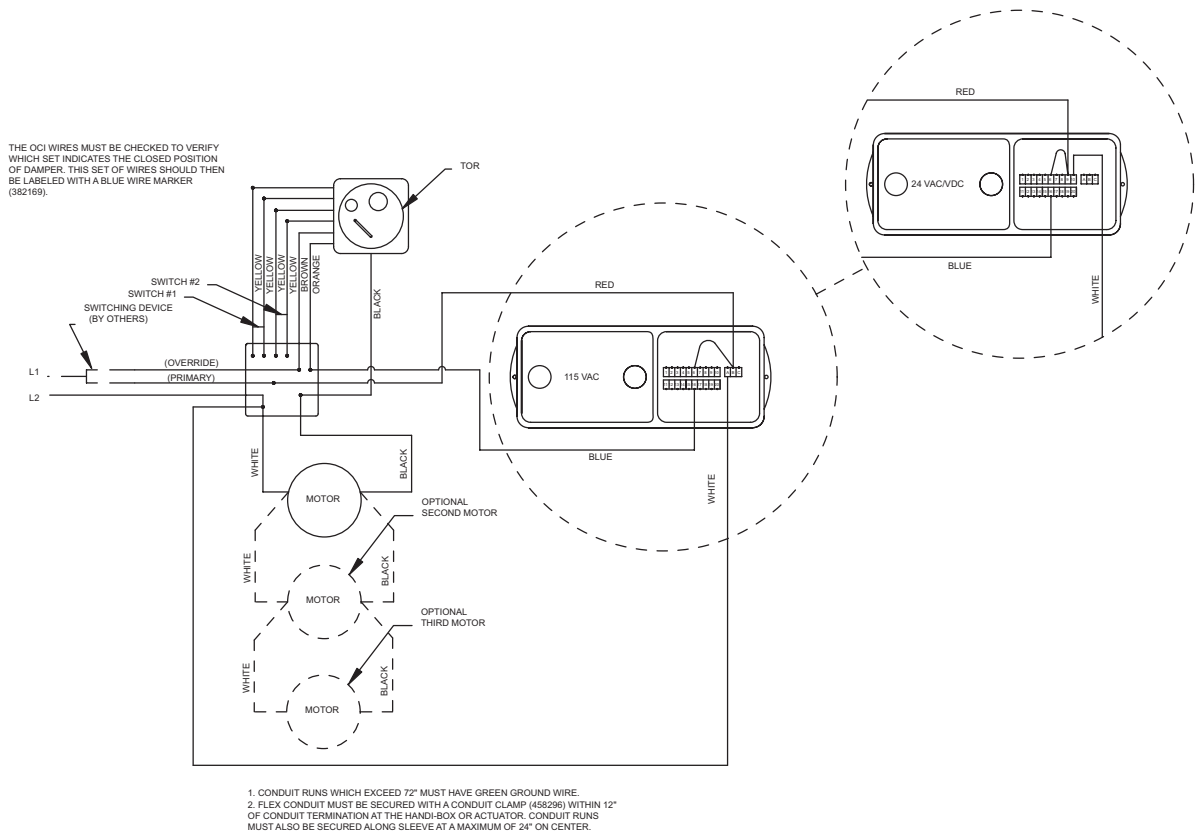


Figure 3: Label applied to dampers with factory mounted duct smoke detectors.

Smoke detector requires 100 fpm minimum air velocity in duct. For damper activation requirements when system velocity is less than 100 fpm, the local authority having jurisdiction should be consulted.

Refer to smoke detector installation instructions and Greenheck IOM - Smoke Detector Supplement FS for dampers with factory mounted duct smoke detectors.

458565

Notes

